

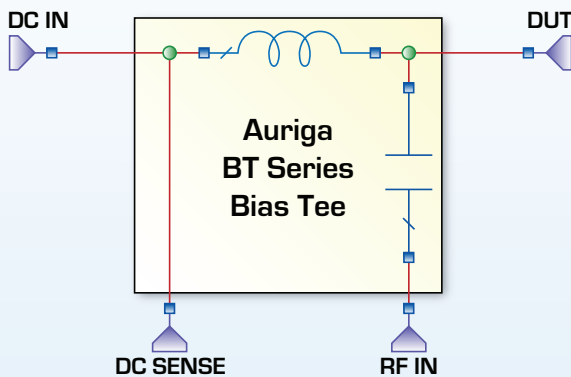
# BT Series

## MULTIPLE-BAND HIGH-POWER BIAS TEES

### A perfect balance of RF performance and power handling

Auriga Bias Tees balance impressive RF performance with heavy-duty power handling across multiple frequency bands ranging from 100 MHz to 26.5 GHz. They are designed for rigorous usage without sacrificing RF performance. Only the highest-quality materials are used to minimize signal loss and enable efficient heat removal.

The highest-power bias tees include a fast-acting fuse to protect DUTs against current spikes. A DC sense port is provided for accurately measuring the incident DC voltage. Bias tees requiring external heat sinking include pre-tapped holes for easy mounting.



#### High power

- Available up to 150 W continuous operation
- Materials chosen to effectively distribute heat loss
- N, 2.92 mm, and 2.4 mm connectors available

#### Heavy duty

- Gold-plated, solid metal construction
- Fast-acting replaceable fuse protects against current spikes (available on some models)
- Compact size

#### Stellar RF performance

- Wide bandwidth ranging from 100 MHz to 26.5 GHz
- Low insertion loss
- Well-matched input and output

#### Excellent DC performance

- DC sense port available for measuring incident DC voltage
- High-voltage (up to 200 V) and high-current (up to 10 A) operation

Part Number	Frequency (GHz)	Max Current (A)	RF Power (W)	Voltage Rating (V)	Typ. Ins. Loss (dB)	Housing Type	Connector Type
BT0110-50	0.1 - 10.0	3	50	100	1.8	B	2.92 mm (m-f)
BT0118-10	0.1 - 18.0	2	10	50	1.5	B	2.92 mm (m-f)
BT0480-50	0.4 - 8.0	2	50	50	1.2	B	2.92 mm (m-f)
BT0730-150*	0.7 - 3.0	3	150	200	0.5	D	Type N (m-f)
BT0780-100	0.7 - 8.0	3	100	50	1.5	D	Type N (m-f)
BT0780-150	0.7 - 8.0	3	150	200	1.5	D	Type N (m-f)
BT0845-50	0.8 - 4.5	4	50	50	1	B	2.92 mm (m-f)
BT1010-50	1.0 - 10.0	1	50	50	2.5	D	Type N (m-f)
BT1018-50	1.0 - 18.0	1	50	50	2	B	2.92 mm (m-f)
BT1026-1	1.0 - 26.5	2	1	150	2.2	B	2.92 mm (m-f)
BT1026-10	1.0 - 26.5	2	10	50	2	B	2.92 mm (m-f)
BT1070-100	1.0 - 7.0	10	100	50	1.8	D	Type N (m-f)
BT1080-50	1.0 - 8.0	4	50	50	2	B	2.92 mm (m-f)
BT1510-50	1.5 - 10.0	2	50	100	2.5	D	Type N (m-f)
BT2018-50	2.0 - 18.0	2	50	50	1.8	B	2.92 mm (m-f)
BT2040-50	2.0 - 4.0	5	50	50	2.1	B	2.92 mm (m-f)
BT2080-100	2.0 - 8.0	10	100	100	1.7	D	Type N (m-f)
BT2080-50	2.0 - 8.0	4	50	50	1.4	B	2.92 mm (m-f)
BT6018-50	6.0 - 18.0	2	50	50	1.5	B	2.92 mm (m-f)
BT8012-50	8.0 - 12.0	5	50	100	2	B	2.92 mm (m-f)
BT8018-10	8.0 - 18.0	3	10	50	1.5	B	2.92 mm (m-f)

Unless otherwise noted, Return Loss Minimum  $\geq 10$  dB

\*BT0730-150 only: Return Loss Minimum  $\geq 18$  dB

Please contact your local Auriga Representative or [sales@aurigamicrowave.com](mailto:sales@aurigamicrowave.com) for pricing and capabilities

Choose from two housing types (refer to selection guide above).



### Type B housing

Outline dimensions:  
1.00" x 1.35" x 0.50"  
(25.4 x 34.3 x 12.7 mm)

Note: 2.4 mm connectors  
are available upon request  
for the Type B housing



### Type D housing

Outline dimensions:  
1.75" x 2.50" x 1.125"  
(44.5 x 63.5 x 28.5 mm)

Note: Type D bias tee  
provides a replaceable fuse

