



STEVAL-TDR007V1

3 stage RF power amplifier demonstration board using:
PD57002-E, PD57018-E, 2 x PD57060-E

Features

- N-channel enhancement-mode lateral MOSFETs
- Excellent thermal stability
- Frequency: 1030 MHz
- Supply voltage: 36 V
- Peak power: 200 W typical
- Input power: 23 dBm
- Harmonics < -45 dBc
- Rise and fall time < 100 ns
- RoHS compliant

Description

The STEVAL-TDR007V1 is a 200 W RF power amplifier intended for IFF - 1030 MHz interrogator using PD57002-E + PD57018-E + 2 x PD57060-E N-channel lateral MOS field-effect transistors.

STEVAL-TDR007V1 is designed in cooperation with ETSA in France.

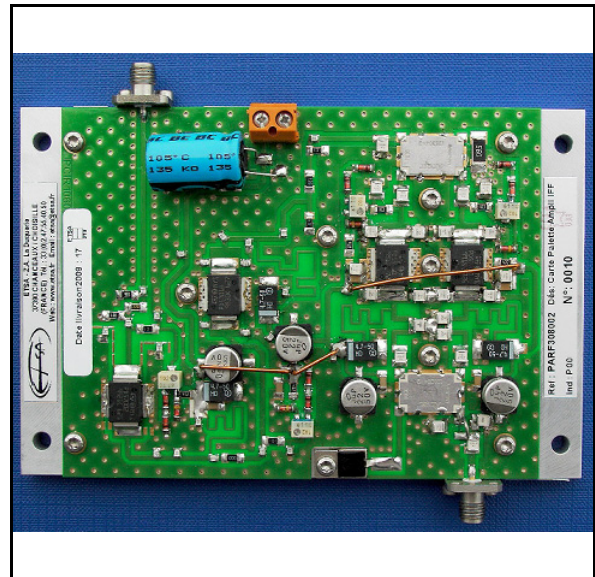


Table 1. Device summary

Order code
STEVAL-TDR007V1

Contents

1	Electrical data	3
	1.1 Maximum ratings	3
2	Electrical characteristics	3
3	Circuit schematic	4
4	Circuit layout	5
5	Package mechanical data:	
	PD57002-E, PD57018-E, PD57060-E	6
	5.1 Mounting indications	7
6	Revision history	10

1 Electrical data

1.1 Maximum ratings

Table 2. Absolute maximum ratings

Symbol	Parameter	Value	Unit
V_{DD}	Supply voltage	36	V
I_D	Drain current	1.0	A
T_{CASE}	Operating case temperature	+80	°C
T_A	Max. ambient temperature	-10 to +50	°C

2 Electrical characteristics

$T_A = +25\text{ °C}$, $V_{DD} = 36\text{ V}$, $I_{dq} = 100\text{ mA}$, Freq. = 1030 MHz, PW = 32 μs , DC = 2.5 %

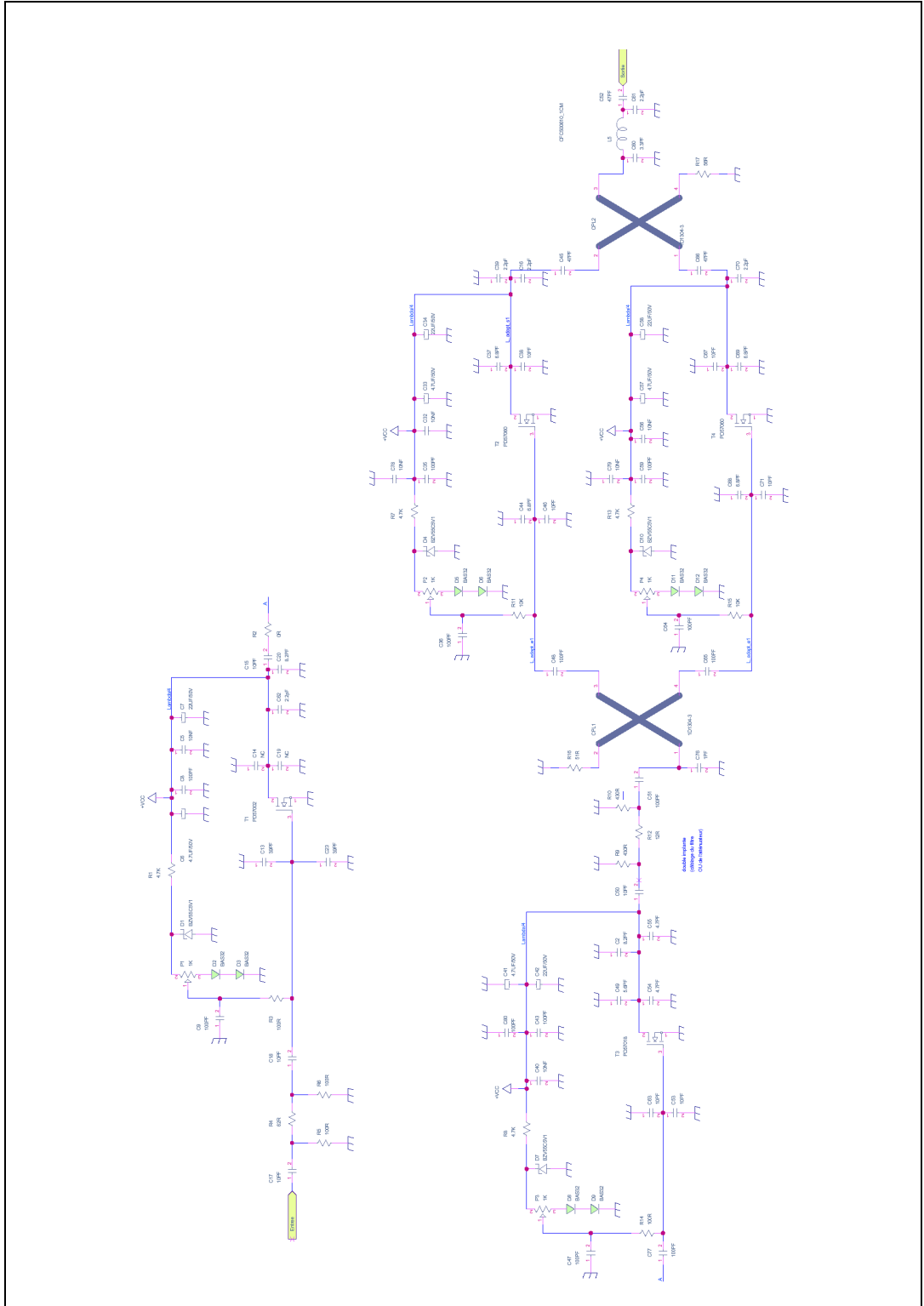
Table 3. Electrical specification

Symbol	Test conditions	Min	Typ	Max	Unit
P_{OUT}	@ $P_{IN} = 23\text{ dBm}$	52	53		dBm
IRL	@ $P_{IN} = 23\text{ dBm}$			-10	dB
I_{TOTAL}	@ $P_{IN} = 23\text{ dBm}$		500	600	mA
Rise and Fall time	@ $P_{IN} = 23\text{ dBm}$			100	ns
Power droop (1)	@ $P_{IN} = 23\text{ dBm}$		0.2	1	dB
Harmonics	@ $P_{IN} = 23\text{ dBm}$		-60	-45	dBc

1. 1000 μF connected to 36 V supply pin

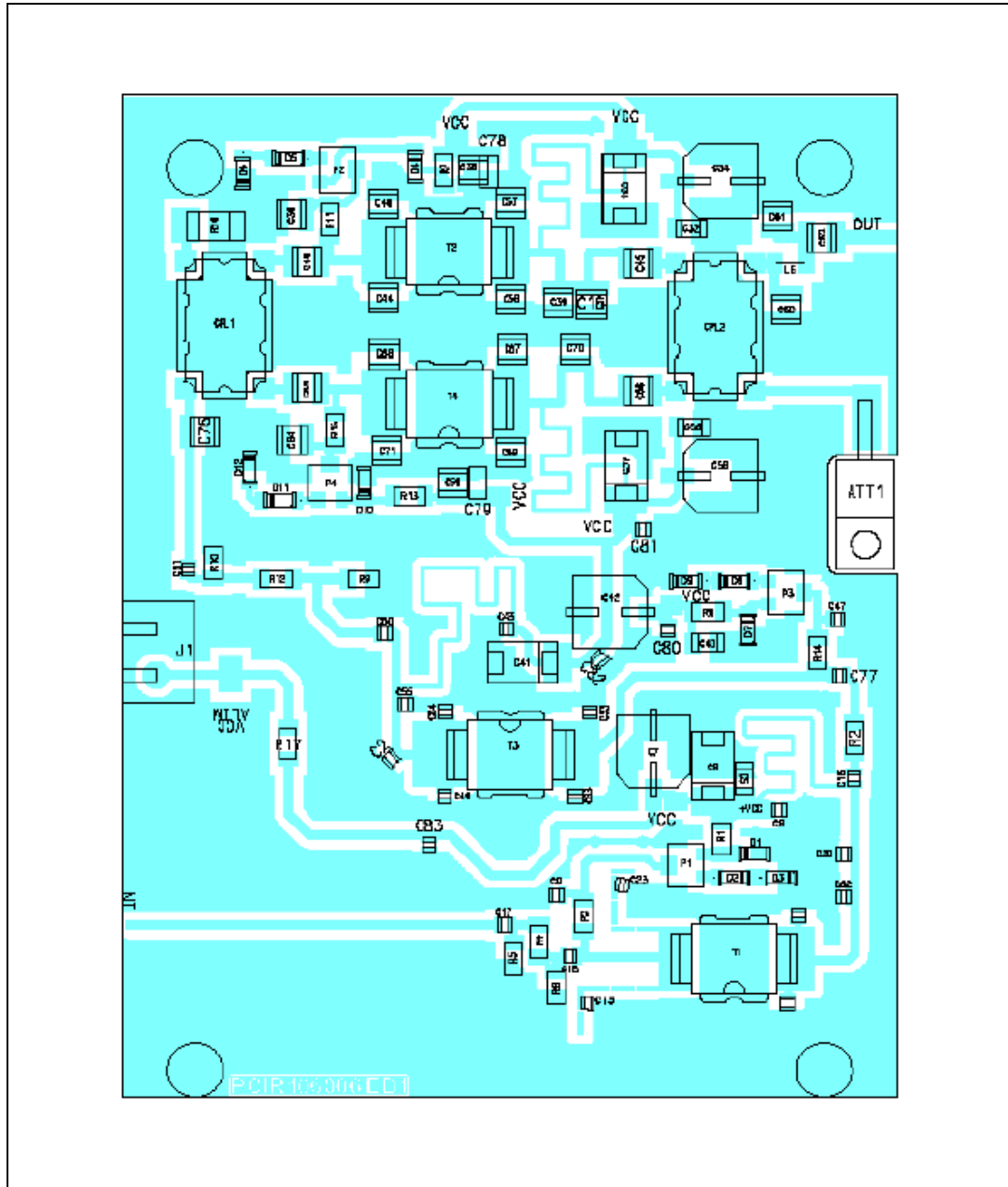
3 Circuit schematic

Figure 1. Circuit schematic



4 Circuit layout

Figure 2. Circuit layout



5 **Package mechanical data: PD57002-E, PD57018-E, PD57060-E**

In order to meet environmental requirements, ST offers these devices in different grades of ECOPACK® packages, depending on their level of environmental compliance. ECOPACK® specifications, grade definitions and product status are available at: www.st.com. ECOPACK is an ST trademark.

5.1 Mounting indications

Figure 3. PowerSO-10 mounting indications

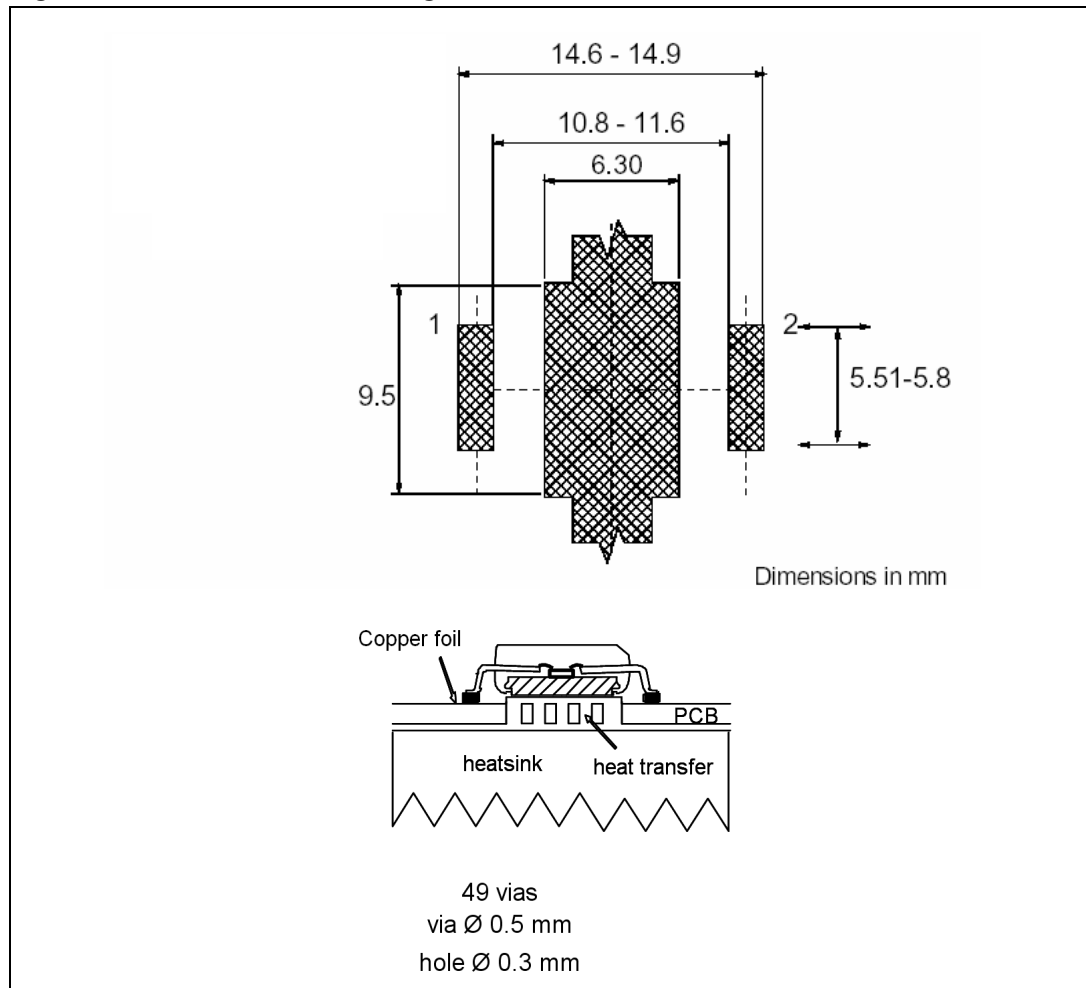


Figure 4. Recommended heat profile / reflow soldering

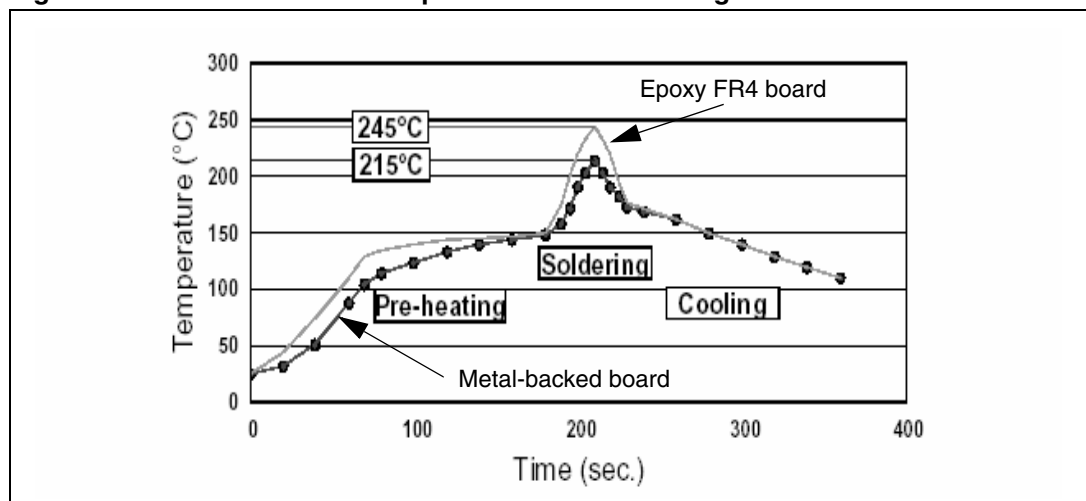


Table 4. PowerSO-10RF formed lead (gull wing) mechanical data

Dim.	mm.			Inch		
	Min	Typ	Max	Min	Typ	Max
A1	0	0.05	0.1	0.	0.0019	0.0038
A2	3.4	3.5	3.6	0.134	0.137	0.142
A3	1.2	1.3	1.4	0.046	0.05	0.054
A4	0.15	0.2	0.25	0.005	0.007	0.009
a		0.2			0.007	
b	5.4	5.53	5.65	0.212	0.217	0.221
c	0.23	0.27	0.32	0.008	0.01	0.012
D	9.4	9.5	9.6	0.370	0.374	0.377
D1	7.4	7.5	7.6	0.290	0.295	0.298
E	13.85	14.1	14.35	0.544	0.555	0.565
E1	9.3	9.4	9.5	0.365	0.37	0.375
E2	7.3	7.4	7.5	0.286	0.292	0.294
E3	5.9	6.1	6.3	0.231	0.24	0.247
F		0.5			0.019	
G		1.2			0.047	
L	0.8	1	1.1	0.030	0.039	0.042
R1			0.25			0.01
R2		0.8			0.031	
T	2 deg	5 deg	8 deg	2 deg	5 deg	8 deg
T1		6 deg			6 deg	
T2		10 deg			10 deg	

Note: Resin protrusions not included (max value: 0.15 mm per side)

Figure 5. Package dimensions

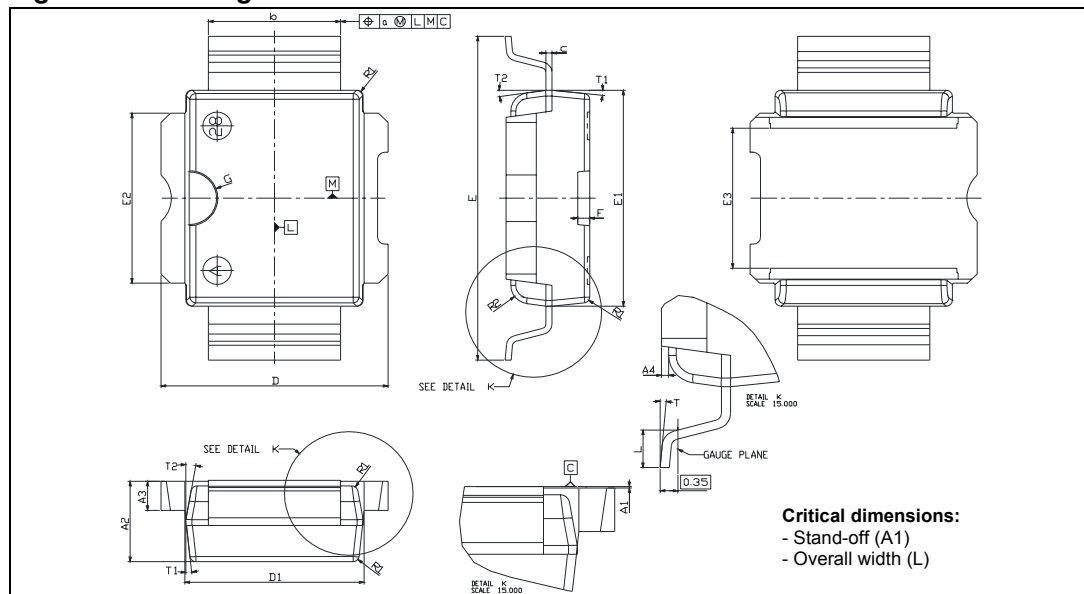
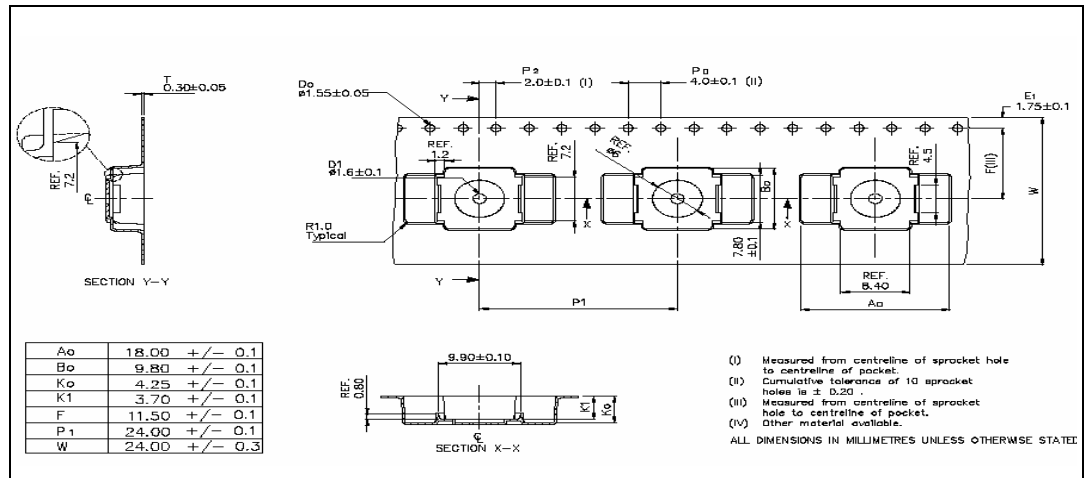


Figure 6. PowerSO-10RF tape and reel



6 Revision history

Table 5. Document revision history

Date	Revision	Changes
01-Jul-2008	1	Initial release

Please Read Carefully:

Information in this document is provided solely in connection with ST products. STMicroelectronics NV and its subsidiaries ("ST") reserve the right to make changes, corrections, modifications or improvements, to this document, and the products and services described herein at any time, without notice.

All ST products are sold pursuant to ST's terms and conditions of sale.

Purchasers are solely responsible for the choice, selection and use of the ST products and services described herein, and ST assumes no liability whatsoever relating to the choice, selection or use of the ST products and services described herein.

No license, express or implied, by estoppel or otherwise, to any intellectual property rights is granted under this document. If any part of this document refers to any third party products or services it shall not be deemed a license grant by ST for the use of such third party products or services, or any intellectual property contained therein or considered as a warranty covering the use in any manner whatsoever of such third party products or services or any intellectual property contained therein.

UNLESS OTHERWISE SET FORTH IN ST'S TERMS AND CONDITIONS OF SALE ST DISCLAIMS ANY EXPRESS OR IMPLIED WARRANTY WITH RESPECT TO THE USE AND/OR SALE OF ST PRODUCTS INCLUDING WITHOUT LIMITATION IMPLIED WARRANTIES OF MERCHANTABILITY, FITNESS FOR A PARTICULAR PURPOSE (AND THEIR EQUIVALENTS UNDER THE LAWS OF ANY JURISDICTION), OR INFRINGEMENT OF ANY PATENT, COPYRIGHT OR OTHER INTELLECTUAL PROPERTY RIGHT.

UNLESS EXPRESSLY APPROVED IN WRITING BY AN AUTHORIZED ST REPRESENTATIVE, ST PRODUCTS ARE NOT RECOMMENDED, AUTHORIZED OR WARRANTED FOR USE IN MILITARY, AIR CRAFT, SPACE, LIFE SAVING, OR LIFE SUSTAINING APPLICATIONS, NOR IN PRODUCTS OR SYSTEMS WHERE FAILURE OR MALFUNCTION MAY RESULT IN PERSONAL INJURY, DEATH, OR SEVERE PROPERTY OR ENVIRONMENTAL DAMAGE. ST PRODUCTS WHICH ARE NOT SPECIFIED AS "AUTOMOTIVE GRADE" MAY ONLY BE USED IN AUTOMOTIVE APPLICATIONS AT USER'S OWN RISK.

Resale of ST products with provisions different from the statements and/or technical features set forth in this document shall immediately void any warranty granted by ST for the ST product or service described herein and shall not create or extend in any manner whatsoever, any liability of ST.

ST and the ST logo are trademarks or registered trademarks of ST in various countries.

Information in this document supersedes and replaces all information previously supplied.

The ST logo is a registered trademark of STMicroelectronics. All other names are the property of their respective owners.

© 2009 STMicroelectronics - All rights reserved

STMicroelectronics group of companies

Australia - Belgium - Brazil - Canada - China - Czech Republic - Finland - France - Germany - Hong Kong - India - Israel - Italy - Japan - Malaysia - Malta - Morocco - Singapore - Spain - Sweden - Switzerland - United Kingdom - United States of America

www.st.com

